

Vernier Calipers

1 vernier calipers

Material: Carbon steel or stainless steel
 Available packing: leatheroid bag, wood box, plastic box
 resolution: 0.05mm or 0.02mm (1/128" or 0.001")
 System: Metric, inch, metric/inch, inch/metric



100-A1001 普通开式 screw type vernier	
Size: 0-100mm or 0-4"	0-200mm or 0-8"
0-125mm or 0-5"	0-300mm or 0-12"
0-150mm or 0-6"	



100-A1003 开式带微调 screw type vernier with fine adjustment	
Size: 0-150mm or 0-6"	
0-200mm or 0-8"	
0-300mm or 0-12"	



100-A1004 开式自锁 screw type vernier with auto brake	
Size: 0-150mm or 0-6"	
0-200mm or 0-8"	
0-300mm or 0-12"	



100-A1005 普通整体 mono block vernier	
Size: 0-70mm	0-200mm or 0-8"
0-100mm or 0-4"	0-300mm or 0-12"
0-150mm or 0-6"	



100-A1006 整体外自锁 mono block vernier with auto brake	
Size: 0-150mm or 0-6"	
0-200mm or 0-8"	
0-300mm or 0-12"	



100-A1009 整体内自锁 mono block vernier with auto brake	
Size: 0-150mm or 0-6"	
0-200mm or 0-8"	
0-300mm or 0-12"	



Material: Carbon steel or stainless steel
 Available packing: leatheroid bag, wood box, plastic box
 resolution: 0.05mm or 0.02mm (1/128" or 0.001")
 System: Metric, inch, metric/inch, inch/metric

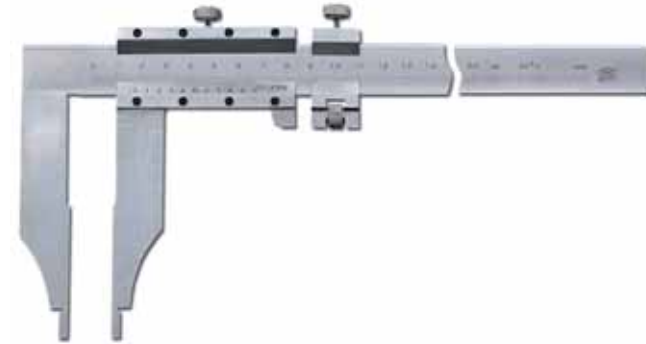


100-A2001 开式无测深带微调 screw type vernier with fine adjustment, no depth bar	
Size: 0-100mm or 0-4"	0-300mm or 0-12"
0-150mm or 0-6"	0-500mm or 0-20"
0-200mm or 0-8"	0-600mm or 0-24"

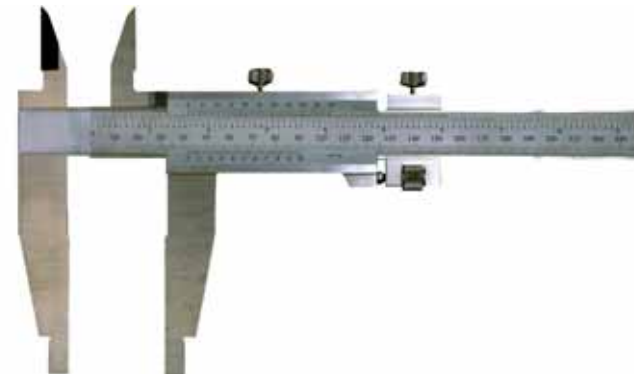


Jaw length can be customized

100-A3001 三型卡尺 heavy duty vernier caliper	
Size: 0-300mm or 0-12"	0-600mm or 0-24"
0-450mm or 0-18"	0-800mm or 0-32"
0-500mm or 0-20"	0-1000mm or 0-40"



100-A3002 四型卡尺 heavy duty vernier caliper	
Size: 0-450mm or 0-18"	0-1500mm or 0-60"
0-500mm or 0-20"	0-2000mm or 0-80"
0-600mm or 0-24"	0-2500mm or 0-100"
0-800mm or 0-32"	0-3000mm or 0-120"
0-1000mm or 0-40"	



100-A3003 五型卡尺 heavy duty vernier caliper	
Size: 0-450mm or 0-18"	0-1500mm or 0-60"
0-500mm or 0-20"	0-2000mm or 0-80"
0-1000mm or 0-40"	0-2500mm or 0-100"
	0-3000mm or 0-120"

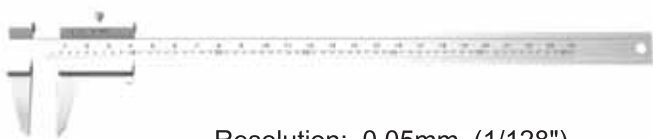
Vernier Calipers

2 Simple vernier calipers



带测深 精度0.05mm. 防磁
 With depth bar, resolution 0.05mm
 (1/128")
 magnetic resistance
 Available color: write, blue,orange

100-A5001 塑料卡尺 plastic vernier caliper
 Size:0-150mm or 0-6"



Resolution: 0.05mm (1/128")

100-A5002 铝卡尺 aluminium vernier caliper
 Size: 0-600mm or 0-24"
 0-800mm or 0-32"



100-A5003 铝卡尺 aluminium vernier caliper
 Size: 0-150mm or 0-6"



100-A5004 铁皮卡尺 Iron sheet vernier caliper
 Size: 0-150mm or 0-6"



resolution:1mm

100-A5005 铜卡尺 Copper vernier caliper
 Size: 0-60mm
 0-80mm
 0-100mm



100-C1003 塑料表卡 Plastic dial vernier caliper
 Size: 0-150mm or 0-6"



100-C1004 塑料表卡 Plastic dial vernier caliper
Size: 0-150mm or 0-6"



不带测深 精度0.1mm. 防磁
Without depth bar, resolution 0.1mm
magnetic resistance

100-B2006 塑料电子卡尺 Plastic vernier caliper
Size: 0-150mm or 0-6"



带测深 精度0.01mm, 防磁
With depth bar, resolution
0.01mm, magnetic resistance,
auto power off

100-B2005 塑料电子卡尺 Plastic vernier caliper
Size: 0-150mm or 0-6"

3 Dial vernier calipers



100-C1001 通槽式游标带表卡尺 dial vernier caliper
Size: 0-150mm or 0-6"
0-200mm or 0-8"
0-300mm or 0-12"



100-C1002 整体游标带表卡尺 dial vernier caliper
Size: 0-150mm or 0-6"
0-200mm or 0-8"
0-300mm or 0-12"



one inch per circle

100-C1003 通槽式游标带表卡尺 dial vernier caliper
Size: 0-6"
0-8"
0-12"

Electronic Digital Calipers

1 3-key Digital calipers with ordinary large screen

Features:

- 8mm high LCD display.
- Zero setting at any position.
- Metric/Inch system interchange.
- Manual power on/off or auto power off.
- Power on/off at any position, invariable measuring origin (zero).
- Display window uses special quartz glass, strong ability of scratch resistance.



100-304B	Specification
	0-100mm*0.01/0-4in*0.0005
	0-150mm*0.01/0-6in*0.0005
	0-200mm*0.01/0-8in*0.0005
	0-300mm*0.01/0-12in*0.0005



100-304F	Specification
	0-150mm*0.01/0-6in*0.0005
	0-200mm*0.01/0-8in*0.0005
	0-300mm*0.01/0-12in*0.0005



100-304MW	Specification
	0-150mm*0.01/0-6in*0.0005
	0-200mm*0.01/0-8in*0.0005
	0-300mm*0.01/0-12in*0.0005



100-304XW	Specification
	0-150mm*0.01/0-6in*0.0005
	0-200mm*0.01/0-8in*0.0005
	0-300mm*0.01/0-12in*0.0005



100-304LW	Specification
	0-150mm*0.01/0-6in*0.0005
	0-200mm*0.01/0-8in*0.0005
	0-300mm*0.01/0-12in*0.0005



100-304NW	Specification
	0-150mm*0.01/0-6in*0.0005
	0-200mm*0.01/0-8in*0.0005
	0-300mm*0.01/0-12in*0.0005



100-304TW	Specification
	0-150mm*0.01/0-6in*0.0005
	0-200mm*0.01/0-8in*0.0005
	0-300mm*0.01/0-12in*0.0005



100-304ZW	Specification
	0-150mm*0.01/0-6in*0.0005
	0-200mm*0.00-8in*0.0005
	0-300mm*0.01/0-12in*0.0005



100-304YW	Specification
	0-150mm*0.01/0-6in*0.0005
	0-200mm*0.01/0-8in*0.0005
	0-300mm*0.01/0-12in*0.0005

2 3-key Digital calipers with extra large screen

Features:

- 12mm high LCD display.
- Zero setting at any position.
- Metric/Inch system interchange.
- Manual power on/off or auto power off.
- Power on/off at any position, invariable measuring origin)zero(.
- Display window uses special quartz glass, strong ability of scratch resistance.



100-309A	Specification
	0-100mm*0.01/0-4in*0.0005
	0-150mm*0.01/0-6in*0.0005
	0-200mm*0.01/0-8in*0.0005
	0-300mm*0.01/0-12in*0.0005



100-309EW	Specification
	0-100mm*0.01/0-4in*0.0005
	0-150mm*0.01/0-6in*0.0005
	0-200mm*0.01/0-8in*0.0005
	0-300mm*0.01/0-12in*0.0005

Electronic Digital Calipers



100-309FW	Specification
	0-150mm*0.01/0-6in*0.0005
	0-200mm*0.01/0-8in*0.0005
	0-300mm*0.01/0-12in*0.0005



100-309GW	Specification
	0-150mm*0.01/0-6in*0.0005
	0-200mm*0.01/0-8in*0.0005
	0-300mm*0.01/0-12in*0.0005



100-309HW	Specification
	0-150mm*0.01/0-6in*0.0005
	0-200mm*0.01/0-8in*0.0005
	0-300mm*0.01/0-12in*0.0005



100-309JW	Specification
	0-150mm*0.01/0-6in*0.0005
	0-200mm*0.01/0-8in*0.0005
	0-300mm*0.01/0-12in*0.0005

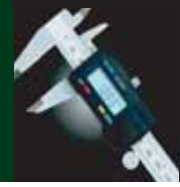


100-309LW	Specification
	0-150mm*0.01/0-6in*0.0005
	0-200mm*0.01/0-8in*0.0005
	0-300mm*0.01/0-12in*0.0005



100-309NW	Specification
	0-150mm*0.01/0-6in*0.0005
	0-200mm*0.01/0-8in*0.0005
	0-300mm*0.01/0-12in*0.0005

Electronic Digital Calipers



100-309QW	Specification
	0-150mm*0.01/0-6in*0.0005
	0-200mm*0.01/0-8in*0.0005
	0-300mm*0.01/0-12in*0.0005



100-309OW	Specification
	0-150mm*0.01/0-6in*0.0005
	0-200mm*0.01/0-8in*0.0005
	0-300mm*0.01/0-12in*0.0005



100-309WW	Specification
	0-150mm*0.01/0-6in*0.0005
	0-200mm*0.01/0-8in*0.0005
	0-300mm*0.01/0-12in*0.0005



100-309XW	Specification
	0-150mm*0.01/0-6in*0.0005
	0-200mm*0.01/0-8in*0.0005
	0-300mm*0.01/0-12in*0.0005



100-309ZW	Specification
	0-150mm*0.01/0-6in*0.0005
	0-200mm*0.01/0-8in*0.0005
	0-300mm*0.01/0-12in*0.0005



FRACTION DISPLAY

100-309PW	Specification
	0-150mm*0.01/0-6in*0.0005
	0-200mm*0.01/0-8in*0.0005
	0-300mm*0.01/0-12in*0.0005



Electronic Digital Calipers

3 4-key(ABS/TOL/HOLD/MODE) Digital calipers

Features:

- Zero setting at any position.
- Metric/Inch system interchange.
- Manual power on/off.
- Power on/off at any position, invariable measuring origin (zero).
- Display window uses special quartz glass, strong ability of scratch resistance.
- Relative and absolute measuring type (ABS).
- Tolerance setting type (TOL).
- Data holding type(HOLD).
- Speed, max. and min. follow-up measuring type(MODE).



100-305CW	Specification
	0-150mm*0.01/0-6in*0.0005
	0-200mm*0.01/0-8in*0.0005
	0-300mm*0.01/0-12in*0.0005



100-310AW	Specification
	0-150mm*0.01/0-6in*0.0005
	0-200mm*0.01/0-8in*0.0005
	0-300mm*0.01/0-12in*0.0005

4 IP54 Digital calipers

Features:

- Zero setting at any position.
- Metric/Inch system interchange.
- Automatic power off, Automatic startup by pull and key(2-key) or Manual power on/off.
- Effectively prevent dampness, suitable for application under damp circumstance(IP54).



100-302BW	Specification
	0-150mm*0.01/0-6in*0.0005
	0-200mm*0.01/0-8in*0.0005
	0-300mm*0.01/0-12in*0.0005



100-304K	Specification
	0-150mm*0.01/0-6in*0.0005
	0-200mm*0.01/0-8in*0.0005
	0-300mm*0.01/0-12in*0.0005

Electronic Digital Calipers



100-309CW	Specification
	0-150mm*0.01/0-6in*0.0005
	0-200mm*0.01/0-8in*0.0005
	0-300mm*0.01/0-12in*0.0005



100-309DW	Specification
	0-150mm*0.01/0-6in*0.0005
	0-200mm*0.01/0-8in*0.0005
	0-300mm*0.01/0-12in*0.0005



IP67

100-B2004	Specification
	0-150mm*0.01/0-6in*0.0005
	0-200mm*0.01/0-8in*0.0005

Features:

- LCD display.
- Zero setting at any position.
- Metric/Inch system interchange.
- Preset data input.
- Manual power on/off.



100-304BWK	Specification
	0-450mm*0.01/0-18in*0.0005
	0-500mm*0.01/0-20in*0.0005
	0-600mm*0.01/0-24in*0.0005

Features:

- LCD display.
- Zero setting at any position.
- Metric/Inch system interchange.
- ABS function.
- Preset data input.
- Manual power on/off.



100-361WK	Specification
	0-500mm*0.01/0-20in*0.0005
	0-600mm*0.01/0-24in*0.0005

Electronic Digital Calipers

5 Scale Unit

Features:

- Max. range: 800mm (32 inch).
- Zero setting at any position.
- Metric/inch interchangeable system.
- Manual power on/off.

100-Z314 Vertical Scale Unit

- 0-100mm*0.01/0-4in*0.0005
- 0-150mm*0.01/0-6in*0.0005
- 0-200mm*0.01/0-8in*0.0005
- 0-300mm*0.01/0-12in*0.0005
- 0-450mm*0.01/0-18in*0.0005
- 0-500mm*0.01/0-20in*0.0005
- 0-600mm*0.01/0-24in*0.0005
- 0-800mm*0.01/0-32in*0.0005



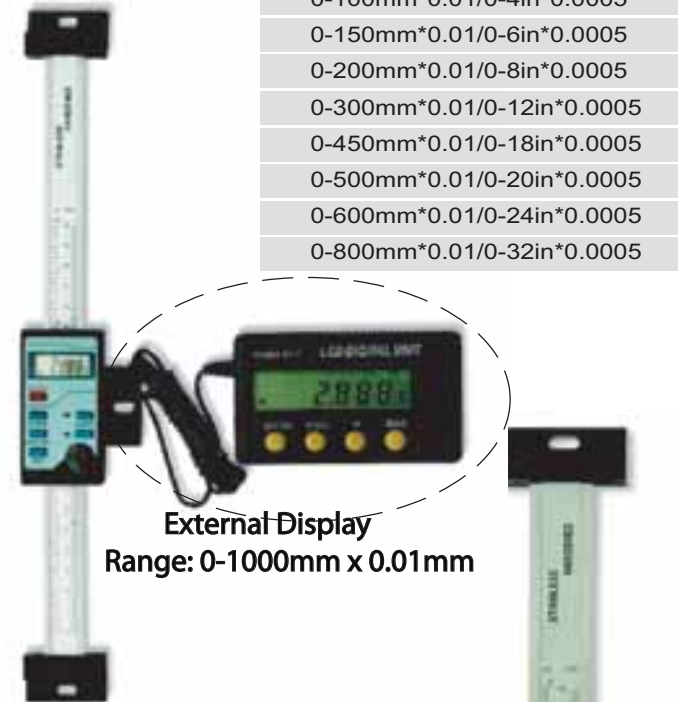
100-Z304B Horizontal Scale Unit

- 0-100mm*0.01/0-4in*0.0005
- 0-150mm*0.01/0-6in*0.0005
- 0-200mm*0.01/0-8in*0.0005
- 0-300mm*0.01/0-12in*0.0005
- 0-450mm*0.01/0-18in*0.0005
- 0-500mm*0.01/0-20in*0.0005
- 0-600mm*0.01/0-24in*0.0005
- 0-800mm*0.01/0-32in*0.0005



100-Z3106 Vertical Scale Unit

- 0-100mm*0.01/0-4in*0.0005
- 0-150mm*0.01/0-6in*0.0005
- 0-200mm*0.01/0-8in*0.0005
- 0-300mm*0.01/0-12in*0.0005
- 0-450mm*0.01/0-18in*0.0005
- 0-500mm*0.01/0-20in*0.0005
- 0-600mm*0.01/0-24in*0.0005
- 0-800mm*0.01/0-32in*0.0005



External Display
Range: 0-1000mm x 0.01mm

100-Z315 Vertical Scale Unit

- 0-100mm*0.01/0-4in*0.0005
- 0-150mm*0.01/0-6in*0.0005
- 0-200mm*0.01/0-8in*0.0005
- 0-300mm*0.01/0-12in*0.0005
- 0-450mm*0.01/0-18in*0.0005
- 0-500mm*0.01/0-20in*0.0005
- 0-600mm*0.01/0-24in*0.0005
- 0-800mm*0.01/0-32in*0.0005

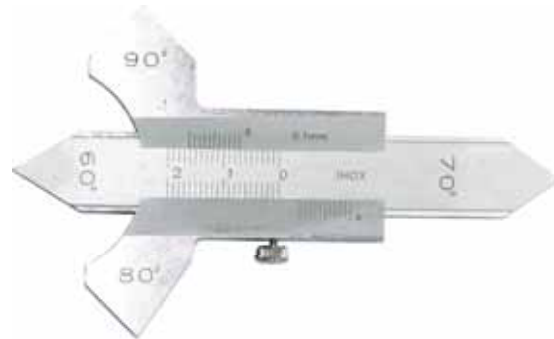




INVERSE SIDE

REVERSE SIDE

WG-01 焊缝规 Weld seam gauge with pointer



WG-02 焊缝规 Weld seam gauge with slide
Size: 0-20mm



WG-03 焊缝规 Weld seam gauge with 12 blades
12 blades, held fan-form by a ring.
(3/3.5/4/4.5/5/5.5/6/6.5/7/8/10/12mm)
for checking welding seams in right-angled corners.



100-A5006 胎纹尺 tyre depth gauge
Size: 0-30mm x 0.1mm



100-C1004 标记尺 steel marking ruler
Size: 0-200mm or 0-8"
0-250mm or 0-10"
0-300mm or 0-12"



101-A1004 深度尺 Depth gauge with changeable needle
Size: 0-80mm x 0.05mm x 50 bridge length
0-160mm x 0.05mm x 100 bridge length
0-300mm x 0.05mm x 150 bridge length



Depth vernier Calipers

Height gauge

1 depth vernier calipers

Material: Carbon steel or stainless steel
 Available packing: leatheroid bag, wood box, plastic box
 resolution: 0.05mm or 0.02mm (1/128" or 0.001")
 System: Metric, inch, metric/inch, inch/metric



101-A1001 深度尺 depth vernier caliper

Size: 0-150mm or 0-6"
 0-200mm or 0-8"



101-A1002 带钩深度尺 depth vernier caliper with hook

Size: 0-150mm or 0-6"
 0-200mm or 0-8"



101-B001 电子式深度尺 digital depth vernier caliper

Size: 0-150mm or 0-6"
 0-200mm or 0-8"
 0-300mm or 0-12"



101-B002 电子式深度尺 digital depth vernier caliper

Size: 0-150mm or 0-6"
 0-200mm or 0-8"
 0-300mm or 0-12"



101-A1003 深度尺 depth vernier caliper

Size: 0-150mm or 0-6"

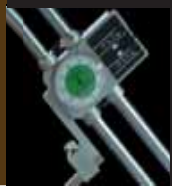
2 Vernier height gauge

Material: Carbon steel or stainless steel
 Available packing: wood box,
 resolution: 0.05mm or 0.02mm (1/128" or 0.001")
 System: Metric, inch, metric/inch, inch/metric



102-A1001 游标高度尺 height gauge

Size: 0-200mm or 0-8"
 0-300mm or 0-12"



游标高度尺
102-A1002 Height gauge

0-400mm or 0-16"
0-500mm or 0-20"
0-600mm or 0-24"
0-1000mm or 0-40"
0-1500mm or 0-60"
0-2000mm or 0-80"



双测量臂游标高度尺
102-A004 height gauge with two measuring legs

Size: 0-300mm or 0-12"
0-600mm or 0-24"
0-1000mm or 0-40"
0-1500mm or 0-60"

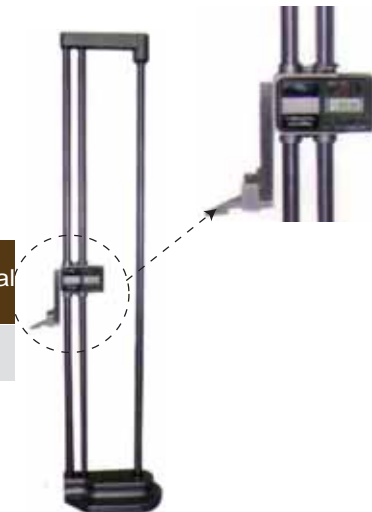
带放大镜游标高度尺
带放大镜 零位可调
100-A3001 height gauge, with magnify glass, zero point adjustable

Size: 0-400mm or 0-16"
0-500mm or 0-20"
0-600mm or 0-24"
0-1000mm or 0-40"



三柱数显高度尺
102-B001 Triple column digital height gauge

Size: 0-800mm or 0-32"
0-1000mm or 0-40"





Height gauge



102-B002 数显高度尺
Digital height gauge

Size: 0-300mm or 0-12"
0-450mm or 0-18"
0-500mm or 0-20"
0-600mm or 0-24"
0-1000mm or 0-40"



102-B003 双柱数显高度尺
Double column digital height gauge

Size: 0-300mm or 0-12"
0-450mm or 0-18"
0-500mm or 0-20"
0-600mm or 0-24"
0-1000mm or 0-40"



102-C001 带表高度尺
Dial height gauge

Size: 0-300mm or 0-12"
0-500mm or 0-20"
0-600mm or 0-24"



102-C002 双柱带表高度尺
Double column dial height gauge

Size: 0-300mm or 0-12"
0-450mm or 0-18"
0-500mm or 0-20"
0-600mm or 0-24"

102-C003 三柱带表高度尺
Triple column dial height gauge

Size: 0-800mm or 0-32"
0-1000mm or 0-40"





外径千分尺 Outside micrometer
Available resolution: 0.01mm, 0.001mm 0.0005"
110-A001 chrom coated or painted frame

Size: 0-25mm/0-1"	125-150mm/5-6"
25-50mm/1-2"	150-175mm/6-7"
50-75mm/2-3"	175-200mm/7-8"
75-100mm/3-4"	200-225mm/8-9"
100-125mm/4-5"	



半圓型尺架外径千分尺 Outside micrometer
110-A003 Semicircular frame

Size: 0-25mm/0-1"	125-150mm/5-6"
25-50mm/1-2"	150-175mm/6-7"
50-75mm/2-3"	175-200mm/7-8"
75-100mm/3-4"	200-225mm/8-9"
100-125mm/4-5"	



外径千分尺 Outside micrometer
Available resolution: 0.01mm, 0.001mm 0.0005"
110-A002 chrom coated or painted frame

Size: 0-25mm/0-1"	125-150mm/5-6"
25-50mm/1-2"	150-175mm/6-7"
50-75mm/2-3"	175-200mm/7-8"
75-100mm/3-4"	200-225mm/8-9"
100-125mm/4-5"	



马蹄型尺架千分尺 Outside micrometer
110-A004 U Type frame

Size: 0-25mm/0-1"	25-50mm/1-2"
50-75mm/2-3"	75-100mm/3-4"
100-125mm/4-5"	125-150mm/5-6"
150-175mm/6-7"	175-200mm/7-8"
200-225mm/8-9"	



Micrometer



板式千分尺 Outside micrometer
100-A005 with painted sheet frame

Size: 100-125mm/4-5"	125-150mm/5-6"
150-175mm/6-7"	175-200mm/7-8"
200-225mm/8-9"	225-250mm/9-10"
250-275mm/10-11"	275-300mm /11-12"



管式千分尺 Outside micrometer
110-A002 with pipe frame

Size: 300-400mm	400-500mm
500-600mm	600-700mm
700-800mm	800-900mm
900-1000mm	500-1000mm
1000-1500mm	1500-2000mm
2000-2500mm	2500-3000mm



可调测砧外径千分尺 Outside micrometer
110-A003 with adjustable Anvils

Size: 0-100mm	200-300mm
0-150mm	150-300mm
100-200mm	



110-B001 内测千分尺 inside micrometer

Size: 5-30mm	50-75mm
25-50mm	75-100mm

Micrometer



110-B002 内测千分尺 inside micrometer
 Size: 5-30mm 50-75mm
 25-50mm 75-100mm



110-B005 腰鼓测头壁厚千分尺 Tube thickness use micrometer, with sphere measuring tip
 Size: 0-25mm
 25-50mm



110-B003 碟型量面千分尺 (公法线千分尺) Disk shape head micrometer, be used for measuring gear wheel's base tangent
 Size: 5-30mm 50-75mm
 25-50mm 75-100mm



110-B006 小量面外径千分尺 Micrometer for notch measuring
 Size: 0-25mm
 25-50mm



110-B004 球型测头壁厚千分尺 Tube thickness use micrometer, with sphere measuring tip
 Size: 0-25mm
 25-50mm



110-B006 小量面外径千分尺 Micrometer for notch measuring
 Size: 0-25mm
 25-50mm



Micrometer



110-B008	刹车片千分尺 Brake disc use micrometer	
Size:	0.3"-1.3"x0.001"	7-32mm
	1"-2"x0.001"	25-50mm



110-B009	计数器刹车片千分尺 Brake disc use micrometer with digital counter	
Size:	0.3"-1.3"x0.001"	7-32mm
	1"-2"x0.001"	25-50mm



110-B0010	带刻度盘板厚千分尺 Hot metal sheet micrometer, with dial reading	
Size:	0-25mm	50-75mm
	25-50mm	



110-C001	数显7按键千分尺 7 keys digital micrometer, Accuracy 0.001mm, tolerance setting, auto power off, metric or inch microdrum.	
Size:	0-25mm	50-75mm
	25-50mm	75-100mm



110-C002	数显3按键千分尺 3 keys digital micrometer, accuracy 0.001mm, metric/inch interchange, metric or inch microdrum	
Size:	0-25mm	50-75mm
	25-50mm	75-100mm



110-C003	数显双芯片千分尺 dual chips digital micrometer, ABS, metric/inch interchange.	
Size:	0-25mm	50-75mm
	25-50mm	75-100mm



110-S001 内测千分尺套装 Inside micrometer set

Include: 13mm 25mm 50mm 100mm 150mm 200mm
50-63 x 0.01mm 50mm measure



110-S004 千分尺套装 Micrometer set

include: vernier caliper 0-150mm steel ruler 150mm
micrometer 0-25mm square 100x70mm



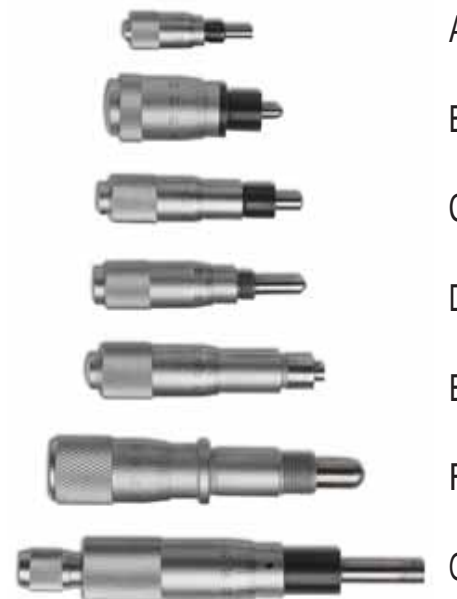
110-S002 千分尺套装 Micrometer set

Size: 0-100mmx0.01mm
0-100mmx0.001mm



110-S003 千分尺套装 Micrometer set

Size: 0-100mmx0.01mm
0-100mmx0.001mm



A

B

C

D

E

F

G

110-S005 千分尺测微头
Micrometer Head

0-2X0.01mm

0-5X0.01mm

0-10X0.01mm

0-13X0.01mm

0-15X0.01mm

0-25X0.01mm

0-50X0.01mm

0-1"X0.001"



Indicator



110-A001 百分表 Dial indicator
0-2mm x 0.01mm



110-A002 百分表 Dial indicator
0-3mm x 0.01mm



110-A003 百分表 Dial indicator
0-5mm x 0.01mm



110-A004 百分表 Dial indicator
0-10mm x 0.01mm



shock proof

110-A009 百分表 Dial indicator
0-50mm x 0.01mm

110-A000 Test tip for indicator
inch size
metric size



rubber ring

110-A005 百分表 Dial indicator
0-10mm x 0.01mm



110-A005 百分表 Dial indicator
0-20mm x 0.01mm



110-B004 百分表 Dial indicator
0-2" x 0.001"



rubber ring

110-A007 百分表 Dial indicator
0-20mm x 0.01mm



110-A008 百分表 Dial indicator
0-30mm x 0.01mm



110-A100 测头组 Indicator tip set
22pcs/set, for inch or
metric indicator



Indicator



110-B001 百分表 Dial indicator
0-1/4"x 0.001"



110-B002 百分表 Dial indicator
0-1/2"x 0.001"



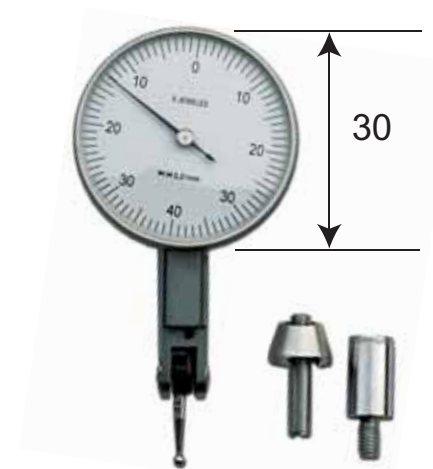
110-B003 百分表 Dial indicator
0-1"x 0.001"



110-C001 千分表 Precision dial indicator
0-1mm x 0.001mm

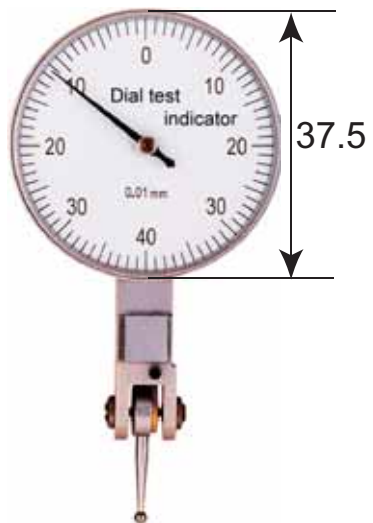


110-C001 千分表 Precision dial indicator
0-1/2" x 0.0001"



110-D001 杠杆百分表 Dial test indicator
0-0.2mm x 0.01mm
0-0.8mm x 0.01mm

Thickness gauge



110-D002 杠杆百分表 Dial test indicator
0-0.2mm x 0.01mm
0-0.8mm x 0.01mm



110-E001 测厚表 Thickness gauge
0-10mm x 0.05mm



110-E002 测厚表 Thickness gauge
0-10mm x 0.1mm
0-20mm x 0.1mm



110-E000
Test tip for
thickness
gauge

110-E003 测厚表 Thickness gauge
0-1mm x 0.001mm



110-E004 测厚表 Thickness gauge
0-10mm x 0.01mm



110-E005 测厚表 Thickness gauge
0-10mm x 0.01mm



Thickness gauge



110-E006 测厚表 Deep throat thickness gauge
0-10mm x 0.01mm



110-F001 数显百分表 digital dial indicator
Size:0-25mm
0-1"



132-B001 带表外卡规 Dial thickness caliper
Size: 10-30mm 30-50mm
0-50mm 0-80mm

132-A001 内径量表 Dial bore gauge
Size: 10-18mm 18-35mm 35-50mm 50-100mm 50-160mm
100-160mm 160-250mm 250-450mm



132-B002 带表内卡规 Dial thickness caliper
Size: 10-30mm 30-50mm
0-50mm 0-80mm

刀口直尺 Precision line edge



116-A001	Size	Section
	50	25x5
	75	25x5
	100	25x5
	125	30x6
	150	30x6
	200	30x6
	300	40x8
	400	40x8
	500	48x10

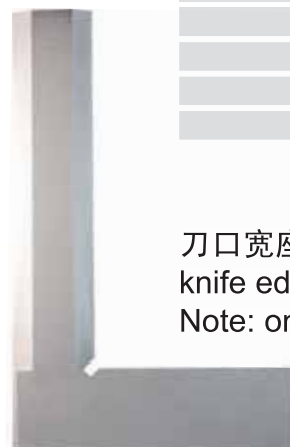
Conform to DIN875
Grade: 00, 0, 1
Material: carbon steel
stainless steel

116-A003	Size	Section
	75x50mm	15x4
	100x70mm	20x5
	150x100mm	30x6
	200x130mm	30x7
	250x170mm	35x7
	300x200mm	40x8
	400x265mm	45x10
	500x300mm	50x10



平口角尺
Flat edge square

116-A005	Size
	50x40mm
	75x50mm
	100x70mm
	150x100mm
	200x130mm
	250x170mm



刀口宽座角尺
knife edge square with wide base
Note: one side model is available

116-A004	Size	Section
	75x50mm	15x4
	100x70mm	20x5
	150x100mm	30x6
	200x130mm	30x7
	250x170mm	35x7
	300x200mm	40x8
	400x265mm	45x10
	500x300mm	50x10



平口带座角尺
Flat edge square with base

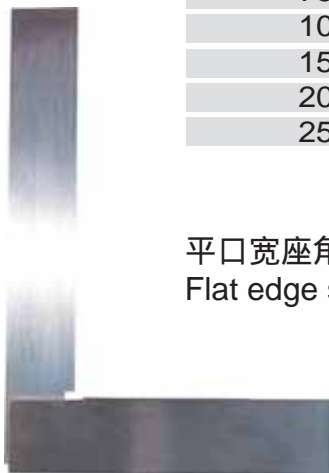
刀口角尺
knife edge square



116-A002	Size	Section
	50x40mm	13x4
	75x50mm	15x4
	100x70mm	20x5
	150x100mm	30x6
	200x130mm	30x7
	250x170mm	30x7
	300x200mm	40x8

Square

116-A006 Size
50x40mm
75x50mm
100x70mm
150x100mm
200x130mm
250x170mm

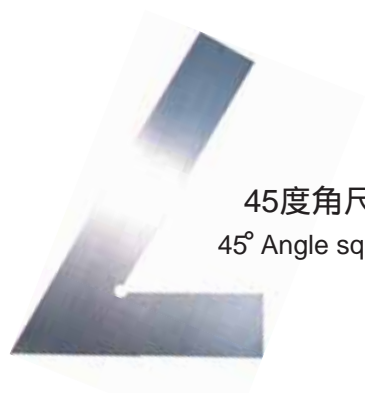


平口宽座角尺
Flat edge square with wide base



116-A007 Size
92x47mm
110x59mm
130x70mm
175x94mm
225x118mm
265x143mm

多用途角尺
Multi purpose square



45度角尺
45° Angle square

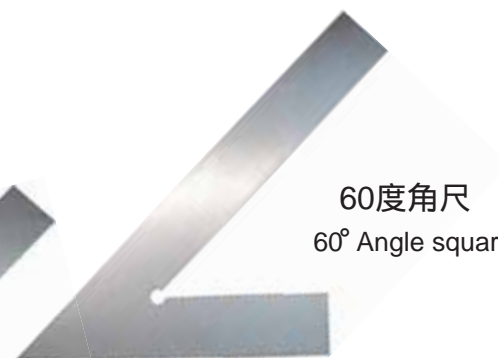


45度带座角尺
45° Angle square with base

116-A008 Size
100x70mm
120x80mm
150x100mm
200x130mm
250x160mm
300x200mm



60度带座角尺
60° Angle square with base



60度角尺
60° Angle square

116-A009 Size
100x70mm
120x80mm
150x100mm
200x130mm
250x160mm
300x200mm



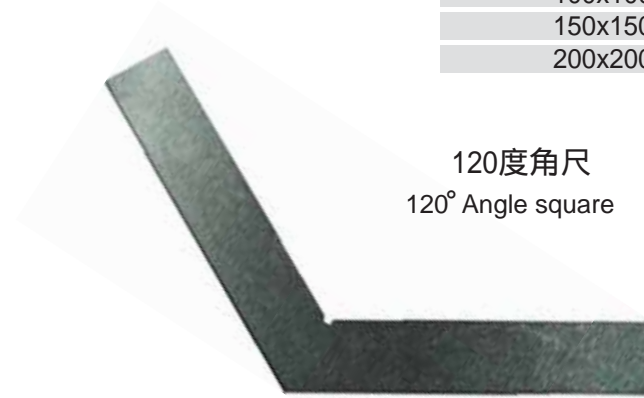
135度角尺
135° Angle square

116-A010 Size
50x50mm
75x75mm
100x100mm
150x150mm
200x200mm



135度带座角尺
135° Angle square with base

116-A011 Size
50x50mm
75x75mm
100x100mm
150x150mm
200x200mm



120度角尺
120° Angle square



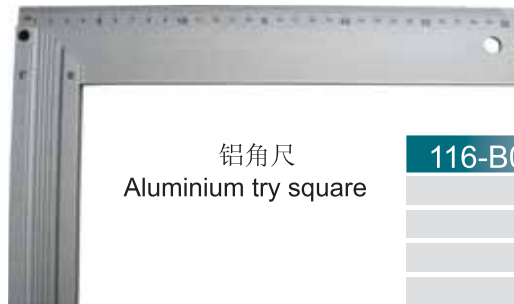
铝座角尺
try square with aluminium
base and stainless steel
ruler

116-B001 Size
250mm 10"
300mm 12"
350mm 14"
400mm 16"



铝座角尺
Try square with
vein base

116-B003 Size
150mm
100mm
250mm
300mm



铝角尺
Aluminium try square

116-B002 Size
10"
12"
14"
16"



铝角尺
Aluminium try square

116-B004 Size
10"
12"
14"
16"

Square



锌合金带水泡角尺
Try square with blister on zinc alloy base

116-B005	Size
150mm	6"
200mm	8"



116-B006 组合角尺 combination square
Size: 150mm/6"



116-B007 组合角尺 combination square
Size: 300mm/12"



with aluminium made protractor head and center finder

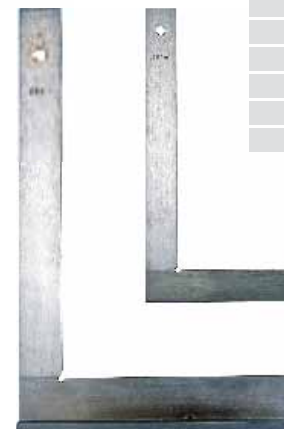
116-B008 组合角尺 combination square
Size: 300mm/12"



带角度读数铝角尺
aluminium try square with angle reading

116-B009 Size
12"

116-B010	Size	section
100 x 70mm	5 x 20mm	
150 x 100mm	5 x 20mm	
200 x 130mm	5 x 25mm	
250 x 160mm	5 x 25mm	
300 x 180mm	5 x 25mm	
400 x 230mm	6 x 30mm	
500 x 280mm	6 x 30mm	
600 x 330mm	6 x 30mm	
700 x 370mm	6 x 30mm	
800 x 400mm	6 x 30mm	
1000 x 500mm	6 x 30mm	



镀锌无等级角尺
galvanized square for steel work

镀锌无等级带座角尺
galvanized square with base for steel work



115-A001 方板量角器 protractor

Size:150mm



115-A004 半圆量角器 protractor

Size:150mm



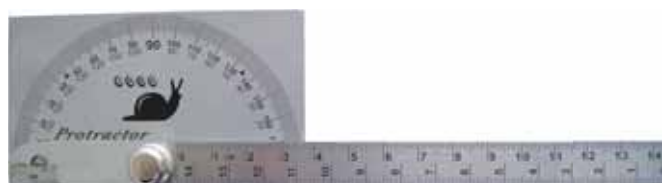
115-A002 半圆量角器 protractor

Size:150mm



115-A005 半圆量角器 protractor

Size:150mm



115-A003 方板量角器 protractor

Size:150mm



磁铁 magnets

115-A006 油量角器 Oil angle level

accuracy: 0.2°



Protractor



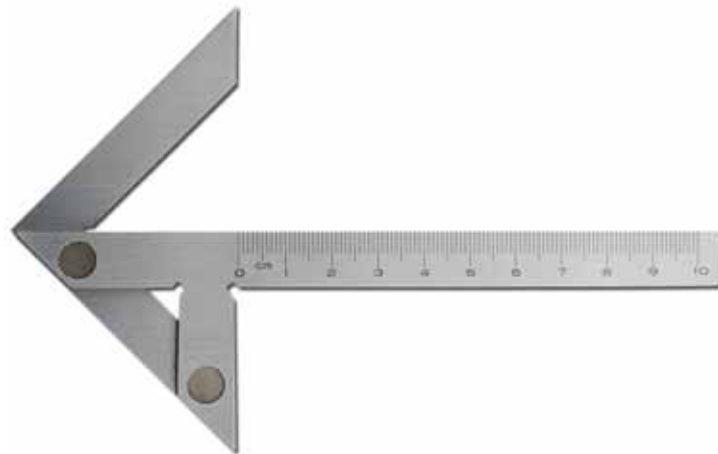
115-A007 组合角尺 Combination square set
0-180° with chromed 4R or metric/inch blade
available blade length: 300mm, 450mm, 600mm



115-A008 放大镜万能角度尺
Universal bevel protractor with magnify glass
0-360° with ruler, accuracy 5'



115-A009 带表万能角度尺
Universal bevel protractor with dial
0-360 with ruler, accuracy 5'



115-A010 中心规 Center finder
Size: 100x70mm for diameter up to 90mm
150x130mm for diameter up to 190mm
200x150mm for diameter up to 220mm



115-A011 Universal bevel protractor
0-320° grad 2°



115-A012 紧固式量角器 Bevel protractor
 80 x 120mm 200 x 300mm
 120 x 150mm 300 x 500mm
 150 x 200mm



115-A013 可调式量角器 Bevel protractor
 100 x 150mm 250 x 500mm
 150 x 300mm 300 x 600mm
 200 x 400mm



151-B001 划线针 steel scriber
 Size : 250mm



151-B002 划线针 steel scriber
 Size : 150mm



151-B003 划线针 steel scriber
 Size : 250mm



115-A014 带量角器角尺 Square with protractor
 245 x 140mm



Divider



115-A001



115-A002



115-A003



115-A004



115-A005

Outside caliper

Size:	125mm	150mm	175mm	200mm
	250mm	300mm	400mm	500mm

Inside caliper

Size:	125mm	150mm	175mm	200mm
	250mm	300mm	400mm	500mm



115-A006



115-A007



115-A008



115-A009

divider

Size:	125mm	150mm	175mm	200mm	250mm	300mm	400mm	500mm	600mm	800mm	1000mm
-------	-------	-------	-------	-------	-------	-------	-------	-------	-------	-------	--------

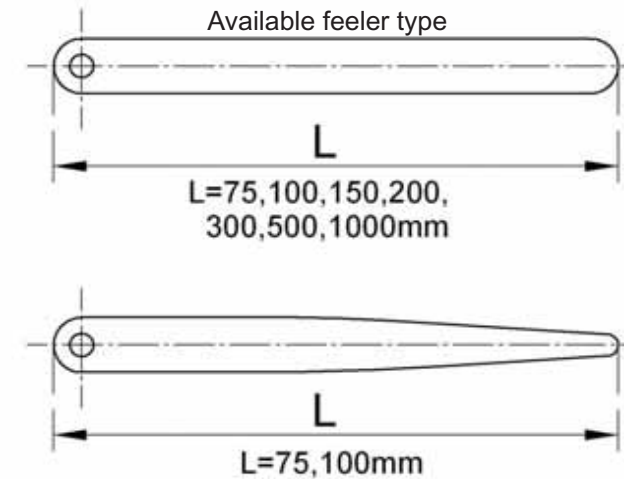


seam width can be read directly from the scale

132-B001 縫隙規
Seam gauge



塞尺 feeler gauge



Item No.	feeler qty	Length	feeler thickness (in/mm)
132-A001	9	3"/75mm	.002/0.05, .003/0.08, .004/0.10, .006/0.15, .008/0.20, .012/0.30, .013/0.33, .020/0.50, .025/0.63, with 2" scale meter
132-A002	12	4"/102mm	.008/0.20, .010/0.25, .012/0.30, .013/0.33, .014/0.35, .015/0.38, .016/0.40, .018/0.45, .019/0.48, .20/0.50, .025/0.63, .026/0.65
132-A003	15	3-1/2"/89mm	.002/0.05, .003/0.08, .004/0.10, .005/0.13, .006/0.15, .008/0.20, .010/0.28, .012/0.30, .013/0.33, .014/0.35, .016/0.40, .018/0.45, .020/0.50, .022/0.55, .025/0.63, with 3" scale meter
132-A004	26	3-1/2"/89mm	.0015/0.04, .002/0.05, .0025/0.06, .003/0.08, .004/0.10, .005/0.13, .006/0.15, .007/0.18, .008/0.20, .009/0.22, .010/0.25, .011/0.28, .012/0.30, .013/0.33, .014/0.35, .015/0.38, .016/0.40, .017/0.43, .018/0.45, .019/0.48, .020/0.50, .021/0.53, .022/0.55, .023/0.58, .024/0.60, .025/0.63
132-A005	32	3-1/2"/89mm	.0015/0.04, .002/0.05, .0025/0.06, .003/0.08, .004/0.10, .005/0.13, .006/0.15, .007/0.18, .008/0.20, .009/0.22, .010/0.25, .010/0.25(brass), .011/0.28, .012/0.30, .013/0.33, .014/0.35, .015/0.38, .016/0.40, .017/0.43, .018/0.45, .019/0.48, .020/0.50, .021/0.53, .022/0.55, .023/0.58, .024/0.60, .025/0.63, .026/0.65, .28/0.70, .030/0.75, .032/0.80, .035/0.88

Item No.	feeler qty	Length	feeler thickness (in/mm)
132-A006	8	4"/100mm	.002/0.05, .004/0.10, .006/0.15, .008/0.20, .010/0.25, .012/0.30, .016/0.40, .020/0.50
132-A007	13	4"/100mm	0.05, 0.10, 0.15, 0.20, 0.25, 0.30, 0.40, 0.50, 0.60, 0.70, 0.80, 0.90, 1.00
132-A008	20	4"/100mm	0.05, 0.10, 0.15, 0.20, 0.25, 0.30, 0.35, 0.40, 0.45, 0.50, 0.55, 0.60, 0.65, 0.70, 0.75, 0.80, 0.85, 0.90, 0.95, 1.00
132-A009	9	3"/75mm	0.04, 0.05, 0.06, 0.07, 0.08, 0.10, 0.15, 0.20, 0.30



Gauges



螺距规

Screw Pitch Gauge

Item No.	Leaves	Range	Pitches
133-A001	20	0.4-6mm	0.40, 0.45, 0.50, 0.60, 0.70, 0.80, 1.00, 1.25, 1.50, 1.75, 2.00, 2.50, 3.00, 3.50, 4.00, 4.50, 5.00, 5.50, 6.00
133-A002	22	4-48TPI	4, 4.5, 5, 6, 7, 8, 9, 10, 11, 12, 14, 16, 18, 19, 20, 22, 24, 26, 28, 32, 40, 48



半径规

Radius Gauge

Item No.	Range	Step by	Leaves
133-B001	1-7mm	1-3mm, 0.25; 3.5-7mm, 0.5	16convex+16 concave
133-B002	7.5-15mm	0.5mm	16convex+16 concave
133-B003	15.5-25mm	15-25mm, 0.5; 21-25mm, 1.0	16convex+16 concave
133-B004	1/32"-1/4"mm	1/64"	15convex+15 concave
133-B005	17/64"-1/2"mm	1/32"	16convex+16 concave
133-B006	17/32"-1"mm	1/32"	16convex+16 concave



半径规

Radius Gauge set

Radius Gauge Item No.	Range	Step by	Notes
133-C001	9/32"-1/2"	1/32"	8 leaves with holder
133-C002	9/16"-1"	1/16"	8 leaves with holder
133-C003	1-1/16"-1-1/2"	1/16"	8 leaves
133-C005	0.55"-1"	0.05"	10 leaves
133-C006	1/64"-17/64"	1/64"	17 leaves with holder
133-C009	0.5-7mm	0.5mm	
133-C010	8-15mm	1mm	



Details of the sets:
 5/16-1/2, 1/2-3/4,
 3/4-1-1/4, 1-1/4 - 2-1/8,
 2-1/8-3-9/16, 3-9/16-6

133-D001 内径规

Telescoping gauge

Range: 5/16"-6" (8-150mm)



135-C001 光面塞规 Plain Plug gauge



Conform to: GB1957-81
DIN2245-89
DIN2246-89

135-D001 光面环规 Plain Ring gauge

Conform to:
GB1957-81
DIN2245-89
ANSI/ASME B89.11.6m-84



Available Nominal diameter

1.8mm	16mm	34mm	62mm	120mm
2mm	17mm	35mm	65mm	125mm
2.5mm	18mm	36mm	68mm	130mm
3mm	19mm	37mm	70mm	135mm
3.5mm	20mm	38mm	72mm	150mm
4mm	21mm	39mm	75mm	165mm
4.5mm	22mm	40mm	80mm	180mm
5mm	23mm	42mm	82mm	200mm
6mm	24mm	44mm	85mm	220mm
7mm	25mm	45mm	88mm	240mm
8mm	26mm	46mm	90mm	250mm
9mm	27mm	47mm	92mm	260mm
10mm	28mm	48mm	95mm	280mm
11mm	29mm	50mm	98mm	300mm
12mm	30mm	52mm	100mm	350mm
13mm	31mm	55mm	105mm	
14mm	32mm	58mm	110mm	
15mm	33mm	60mm	115mm	



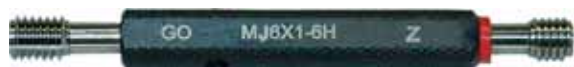
Gauges

Specification of thread gauge

135-A001

螺纹塞规

Thread plug gauge



Conform to: GB3934-83, DIN2280-89, ISO1502-96
Accuracy: 3G, 3H,4G,4H,5G,5H,6G,6H

135-B001

螺纹环规

Thread Ring gauge



Conform to: DIN13-89 DIN2285-89,
DIN299-89, ISO1502-96
Accuracy: 3G, 3H,4G,4H,5G,5H,6G,6H,7G,7H,8G,8H

Nominal Size	Pitch1	Pitch2	Pitch3	Pitch4	Pitch5	Pitch6
M2.0	0.40	0.25				
M2.2	0.45	0.25				
M2.5	0.45	0.35				
M3.0	0.50	0.35				
M3.5	0.60	0.35				
M4.0	0.70	0.50				
M5.0	0.80	0.50				
M6.0	1.00	0.75	0.50			
M8.0	1.25	1.00	0.75	0.50		
M10.0	1.50	1.25	1.00	0.75	0.50	
M12.0	1.75	1.50	1.25	1.00	0.75	0.50
M14.0	2.00	1.50	1.25	1.00	0.75	0.50
M16.0	2.00	1.50	1.00	0.75	0.50	
M18.0	2.50	2.00	1.50	1.00	0.75	
M20.0	2.50	2.00	1.50	1.00	0.75	0.50
M22.0	2.50	2.00	1.50	1.00	0.75	0.50
M24.0	3.00	2.00	1.50	1.00	0.75	0.50
M27.0	3.00	2.00	1.50	1.00	0.75	0.50
M30.0	3.50	3.00	2.00	1.50	1.00	0.50
M33.0	3.50	3.00	2.00	1.50	1.00	0.75
M36.0	4.00	3.00	2.00	1.50	1.00	0.75
M39.0	4.00	3.00	3.00	1.50	1.00	
M42.0	4.00	4.00	3.00	2.00	1.50	
M45.0	4.00	4.00	3.00	2.00	1.50	1.00
M48.0	4.00	4.00	3.00	2.00	1.50	1.00
M52.0	4.00	4.00	3.00	2.00	1.50	1.00
M56.0	5.50	4.00	3.00	2.00	1.50	1.00
M60.0	5.50	4.00	3.00	2.00	1.50	1.00
M64.0	6.00	4.00	3.00	2.00	1.50	1.00
M68.0	6.00	4.00	3.00	2.00	1.50	1.00
M72.0	6.00	4.00	3.00	2.00	1.50	1.00
M76.0	6.00	4.00	3.00	2.00	1.50	1.00
M80.0	6.00	4.00	3.00	2.00	1.50	1.00
M85.0	6.00	4.00	3.00	2.00	1.50	
M90.0	6.00	4.00	3.00	2.00	1.50	
M95.0	6.00	4.00	3.00	2.00	1.50	
M100.0	6.00	4.00	3.00	3.00	1.50	
M105.0	6.00	4.00	3.00	3.00	1.50	
M110.0	6.00	4.00	3.00	3.00	1.50	
M115.0	6.00	4.00	3.00	3.00	1.50	
M120.0	6.00	4.00	3.00	3.00	1.50	
M125.0	6.00	4.00	3.00	3.00	1.50	
M130.0	6.00	4.00	3.00	3.00	1.50	
M140.0	6.00	4.00	3.00	3.00	1.50	



141-001

微型磁力座



Mini Magnetic base,
Base:30x30x30mm
Magnetic force:28kg

141-002

液压万向磁力座



Hydraulic press,universal
magnetic base:60x50x55mm
Magnetic force:80kg

141-003

磁力座



Magnetic base with fine
adjustment,
Base:60x50x55mm
Magnetic force:80kg or 60kg

141-004

磁力座



Magnetic base without fine
adjustment,
Base:60x50x55mm
Magnetic force:80kg or 60kg

141-005

磁力座工作灯



Lamp with Magnetic
base and security
shield, 4.5m long
certified power line.
Plug can be
customized. Screw
type Lamp holder

141-006

磁性钢板搬运拉手



Magnetic steel slab
holder, be used to
transit the steel
sheets



TOOLS

141-007

磁性安全取物器



Magnetic safety holder, be used to take steel item out from punch machine

152-A006

40G Type measuring tape, rubber case with same material self-lock tape stopper, nylon wrist band, magnet on hook(optional), nylon coat tape
Legth:2m,3m,3.6m,5m,8m,10m,
Tape width: 16mm,19mm,25mm,32mm



150-A001

不锈钢直尺

100mmx125x15x0.6mm
150mmx175x15x0.6mm
200mmx225x15x0.8mm
300mmx335x25.4x0.8mm
500mmx535x30.5x1.0mm
600mmx640x30.5x1.2mm
1000mmx1043.5x35x1.5mm
1500mmx1564x40x2.0mm
2000mmx2065x40x2.0mm



153-A001

20G type measuring tape, rubber case and wrist band, ABS tape stopper, magnet on hook(optional)
Length:2m,3m, 3.6m, 5m, 5.5m, 7.5m. 8m, 10m,
Tape width:16mm,19mm,25mm,32mm



153-A002



Aluminum level

401-001

Taper shank twist drill, DIN340,HSS
Size:10mm stepping 0.5mm

Straight shank twist drill,Standard:DIN338,Material: M2 HSS
Size: 1-13mm,stepping 0.1mm





302-003



long nose plier 5", 6", 7", 8"

302-004



combination plier 6", 7", 8"

302-001



CD locking plier 6", 9"

302-002



WR locking plier 5", 7", 10"

302-B001



diagonal cutter 5", 6", 7", 8"

302-008



end nipple plier 6", 8", 10"

302-012



straight internal snap ring plier 6", 7", 8"

302-013



straight external snap ring plier 6", 7", 8"

302-014



bent internal snap ring plier 6", 7", 8"

302-015



bent external snap ring plier 6", 7", 8"

302-007



slip joint plier 6", 8", 10"

302-016



Carpenter plier 6", 7", 8"

302-018



Diagonal cutting plier 5"

302-017



long nose & cutter plier

302-019



Groove joint plier 5", 6", 8", 10", 12", 15"

302-010



bend nose plier 7", 8"

302-021



Fencing plier 10"

302-020



Punch plier 6"

302-006



column nose plier 6"

306-001



Aluminium handle hacksaw frame, 12"

306-004



Plastic handle hacksaw frame, 12"

306-005



Aluminium handle hacksaw, 12"

306-007



adjustable painted hacksaw frame, 12"

306-006



fixed hacksaw frame, 12"

TOOLS

306-008



adjustable chrom coated hacksaw, 12"

306-010



Aluminium handle hacksaw ,12"

306-009



wood handle hacksaw frame, 12"

306-011



Aluminium handle hacksaw, 12"

306-013



Aluminium handle hacksaw, 12"

306-012



Plastic handle hacksaw frame, 12"

306-014



square tube hacksaw with plastic handle, 12"

306-017



Mini hacksaw frame

306-016



Fret saw frame

306-019



hand saw with wood handle

306-018



Double color hand saw with plastic handle

303-002



Wood handle ball pein hammer

303-001



Wood handle claw hammer

303-004



Fiber handle claw hammer

303-003



Steel rubber handle claw hammer

301-001

双头呆扳手



double head spanner

301-002

双头梅花扳手



double head ring spanner

301-006

精抛光活络扳手



adjustable wrench

301-005

发黑带刻度活络扳手



adjustable wrench with scale

301-007

治塑柄活络扳手



adjustable wrench

301-003

全抛光两用扳手



polished combination spanner

301-011

直柄棘轮扳手



ratchet spanner with straight shank

301-012

链条扳手



chain spanner

301-004

半抛光凸筋两用扳手



combination spanner